

MODEL R 340.50.50

UNDERMOUNT TYPE

GENERAL

Fine quality sink bowl formed of 18 gauge
BA 304 18/10 nickel bearing stainless steel.

DESIGN FEATURES

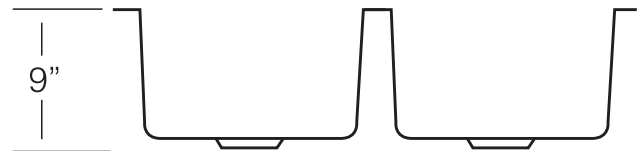
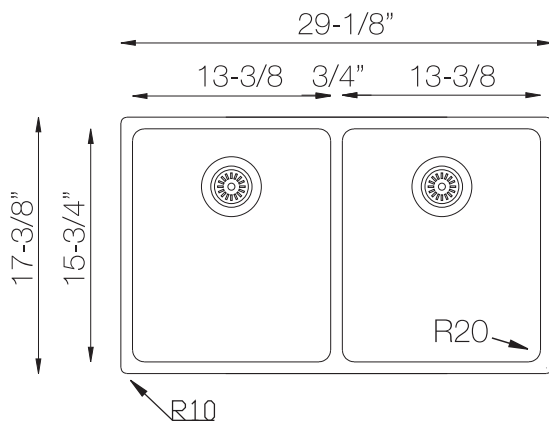
Bowl Depth : 9"
Finish : Soft Satin Finish
Underside : Sound absorbing pads and anti-corrosion paint
applied to dampen sound
Drain Opening : 3-1/2"



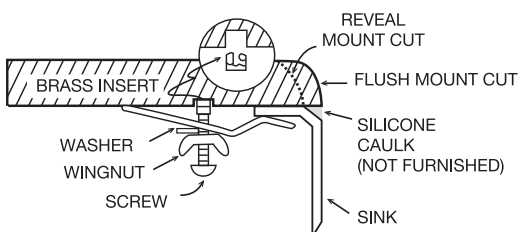
OPTIONAL ACCESSORIES

Stainless Steel Bottom Grid
Wood Cutting Board
Glass Cutting Board
Stainless Steel Colander
Drying Rack

SINK DIMENSIONS (INCHES)



INSTALLATION PROFILE*



Ukinox reserves the right to change
product specifications without notice.
Printed in CANADA © 2020 Ukinox



*Template and countertop
mounting clips are packed
with every sink