

### MODEL R 400.50.50

UNDERMOUNT TYPE

#### GENERAL

Fine quality sink bowl formed of 18 gauge  
BA 304 18/10 nickel bearing stainless steel.

#### DESIGN FEATURES

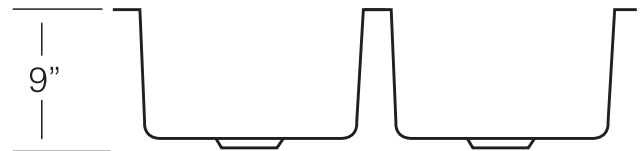
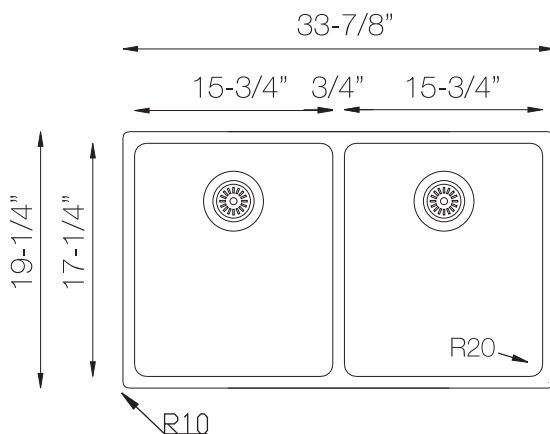
Bowl Depth : 9"  
 Finish : Soft Satin Finish  
 Underside : Sound absorbing pads and anti-corrosion paint  
 applied to dampen sound  
 Drain Opening : 3-1/2"



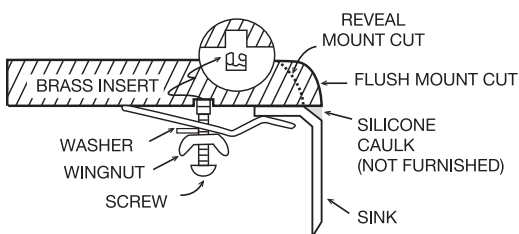
#### OPTIONAL ACCESSORIES

Stainless Steel Bottom Grid  
 Wood Cutting Board  
 Glass Cutting Board  
 Stainless Steel Colander  
 Drying Rack

#### SINK DIMENSIONS (INCHES)



#### INSTALLATION PROFILE\*



Ukinox reserves the right to change  
 product specifications without notice.  
 Printed in CANADA © 2020 Ukinox



\*Template and countertop  
 mounting clips are packed  
 with every sink