

R 610

UNDERMOUNT TYPE

GENERAL

Fine quality sink bowl formed of 18 gauge BA 304 18/10 nickel bearing stainless steel.

DESIGN FEATURES

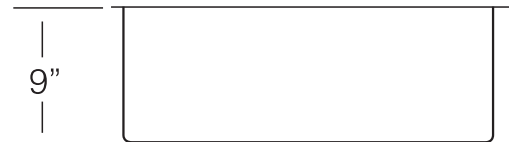
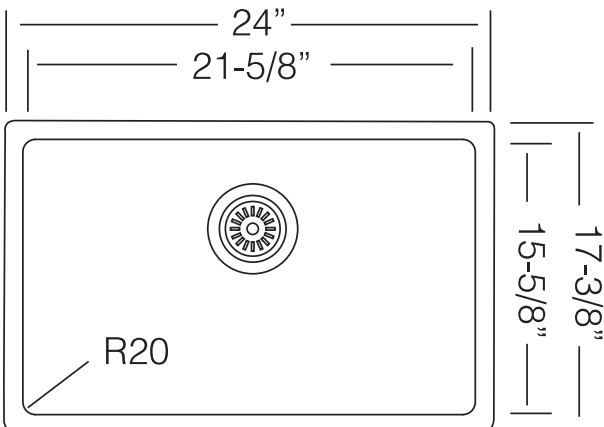
Bowl Depth : 9"
 Finish : Soft Satin Finish
 Underside : Sound absorbing pads and anti-corrosion paint applied to dampen sound
 Drain Opening : 3-1/2"

OPTIONAL ACCESSORIES

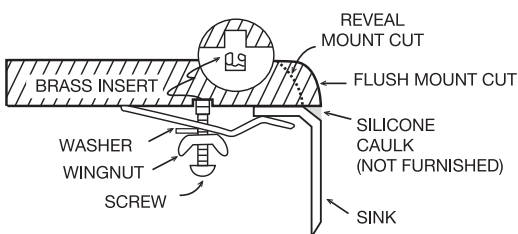
Stainless Steel Bottom Grid
 Wood Cutting Board
 Glass Cutting Board
 Stainless Steel Colander
 Drying Rack



SINK DIMENSIONS (INCHES)



INSTALLATION PROFILE*



Ukinox reserves the right to change product specifications without notice.
 Printed in CANADA © 2020 Ukinox



*Template and countertop mounting clips are packed with every sink