

### RS 390.50.50

UNDERMOUNT TYPE

#### GENERAL

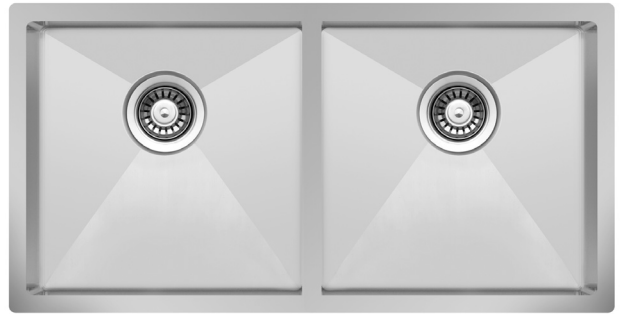
Fine quality sink bowl formed of 18 gauge  
BA 304 18/10 nickel bearing stainless steel.

#### DESIGN FEATURES

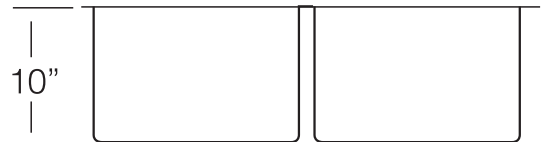
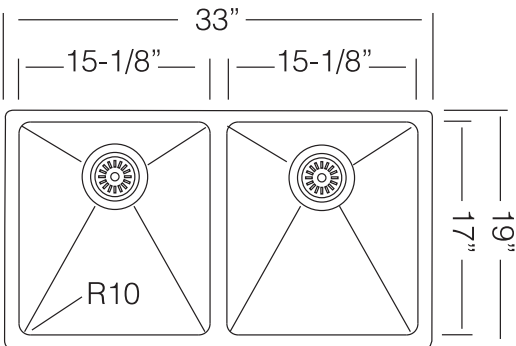
Bowl Depth : 10"  
Finish : Soft Satin Finish  
Underside : Sound absorbing pads and anti-corrosion paint  
applied to dampen sound  
Drain Opening : 3-1/2"

#### OPTIONAL ACCESSORIES

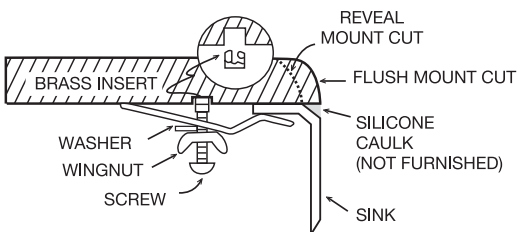
Stainless Steel Bottom Grid  
Wood Cutting Board  
Glass Cutting Board  
Stainless Steel Colander  
Drying Rack



#### SINK DIMENSIONS (INCHES)



#### INSTALLATION PROFILE\*



Ukinox reserves the right to change  
product specifications without notice.  
Printed in CANADA © 2020 Ukinox



\*Template and countertop  
mounting clips are packed  
with every sink