

Z 350.50.50

UNDERMOUNT TYPE

GENERAL

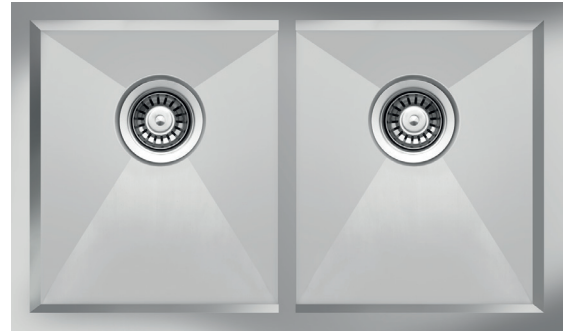
Fine quality sink bowl formed of 18 gauge
BA 304 18/10 nickel bearing stainless steel.

DESIGN FEATURES

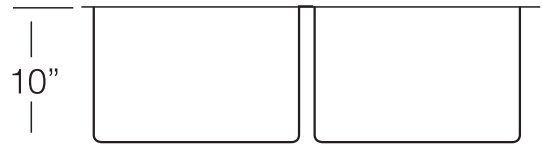
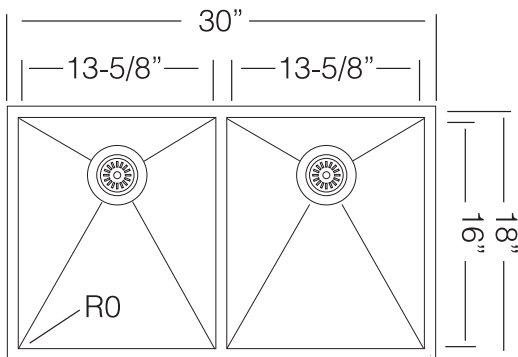
Bowl Depth : 10"
Finish : Soft Satin Finish
Underside : Sound absorbing pads and anti-corrosion paint
applied to dampen sound
Drain Opening : 3-1/2"

OPTIONAL ACCESSORIES

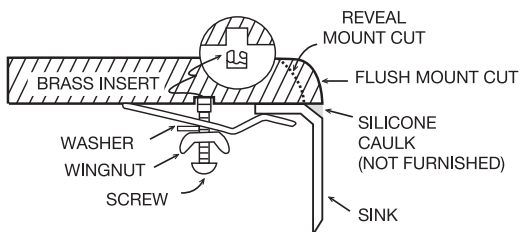
Stainless Steel Bottom Grid
Wood Cutting Board
Glass Cutting Board
Stainless Steel Colander
Drying Rack



SINK DIMENSIONS (INCHES)



INSTALLATION PROFILE*



*Template and countertop mounting clips are packed with every sink

Ukinox reserves the right to change product specifications without notice.
Printed in CANADA © 2020 Ukinox

