

Z 838

UNDERMOUNT TYPE

GENERAL

Fine quality sink bowl formed of 18 gauge BA 304 18/10 nickel bearing stainless steel.

DESIGN FEATURES

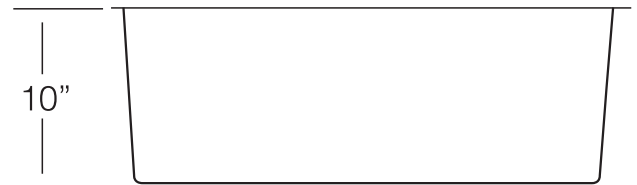
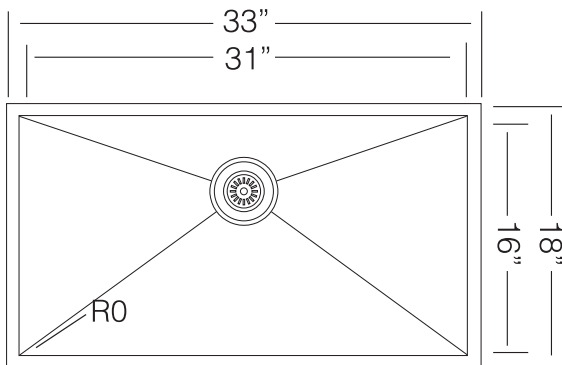
Bowl Depth : 10"
 Finish : Soft Satin Finish
 Underside : Sound absorbing pads applied to dampen sound
 Drain Opening : 3-1/2"



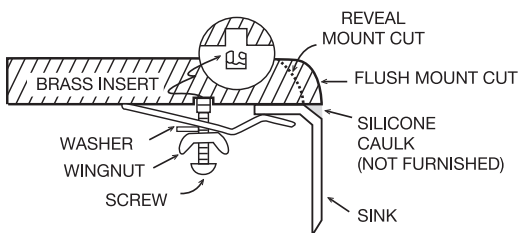
OPTIONAL ACCESSORIES

Stainless Steel Bottom Grid
 Wood Cutting Board
 Glass Cutting Board
 Stainless Steel Colander
 Drying Rack

SINK DIMENSIONS (INCHES)



INSTALLATION PROFILE*



Ukinox reserves the right to change product specifications without notice.
 Printed in CANADA © 2020 Ukinox



These sinks comply with ASME A112.19.3
 These sinks are listed by the International Association of Plumbing and Mechanical Officials as meeting the requirements of the Uniform Plumbing Code.

*Template and countertop mounting clips are packed with every sink